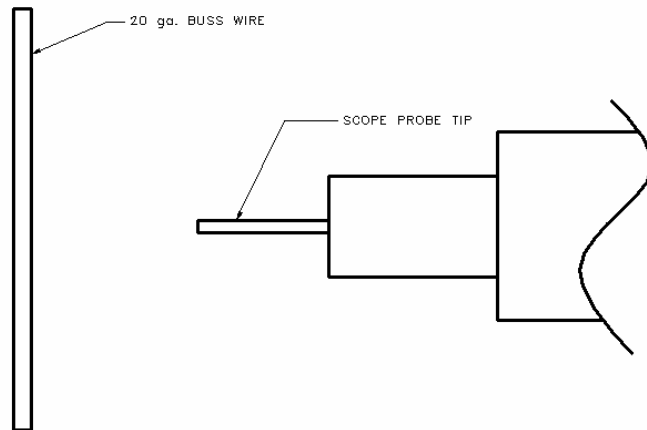
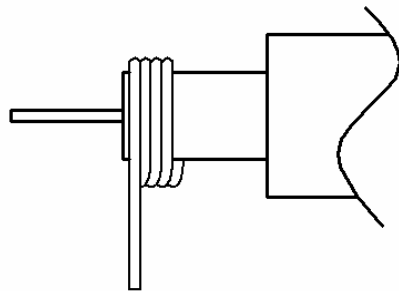


How to make a ripple probe

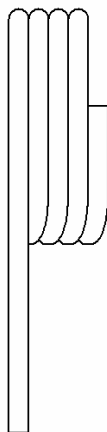
1. Material: 20 ga. Buss Wire and Scope Probe Tip.



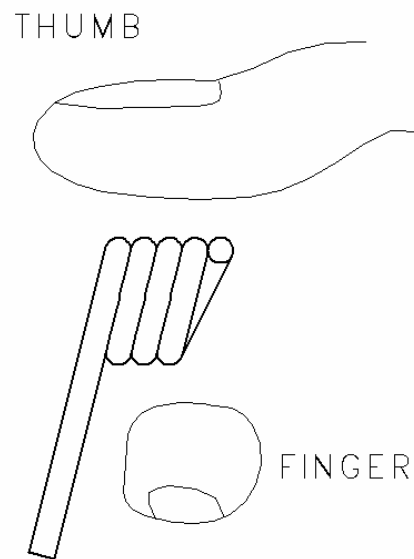
2. Wrap wire tightly around ground part of probe.



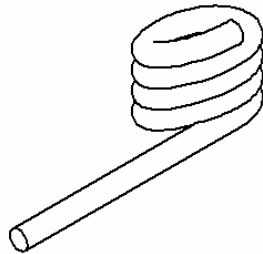
3. Remove coil.



4. Smash coil a little at an angle to form a spring.



5. New elliptical shape.



6. Reattach ground spring which should fit tight. This is one of the best tools for accurately measuring ripple and noise.

